

HANFLO™

HAN-STAND Foot Valve Stand

Box contents:

- (a) 1 Stand base (black)
- (b) 1 Stand cover (white)
- (c) 1 L-base block
- (d) 3 Stabilizers

Bag Contents:

- (e) 1 Disconnect Union 1¼"
- (f) 1 Float
- (g) 1 Female Union
- (h) 7 Screws (Large)
- (i) 4 Screws (Small)
- (j) 1 x 1" Circlip
- (k) 1 x 1" Nut
- (l) 1 Disconnect Union 1" (Body)
- (m) 1 Sealing tape
- (n) 1 Foot Valve Sock
- (o) 1 Foot Valve
- (p) 1 Rope

Tools you will need:

- Phillips screw driver
- Pipe wrench

Prior to installation please locate and confirm contents of package.

Assembly Instructions

1. Position the L-Base Block (c) in the HAN-STAND base (a) by aligning the screw holes of (c) and (a). The pipe exits in the largest hole of the HAN-STAND base (a).
2. Insert large screws (h) from bottom of base (a) and tighten into L-base block (c).
3. Place stabilizers (d) into L-Base Block (c). Insert large screws (h) and tighten.
4. Clip HAN-STAND cover (b) onto base (a) pushing together firmly. Ensure the largest hole is aligned with horizontal pipe exit.
5. Secure base with 4 small screws (i)
6. Connect the Hanflo Foot Valve (o) to vertical pipe from the centre of the HAN-STAND base. Use thread tape (m) and wrench to ensure leak proof seal.
7. Slip the Hanflo Foot Valve Filter Sock (n) over the outside of the Foot Valve (o). Tighten and secure draw-string.
8. Connect Hanflo Female Union (g) to horizontal pipe on L- Base Block (c). Use thread tape (m) and wrench to ensure a leak proof seal.
9. Thread one end of rope through hole in stand cover (b) opposite poly pipe outlet and tie securely, thread the other end through float (f) and tie securely .

Installation Instructions - Determine your pipe size

If using 1¼" Poly pipe

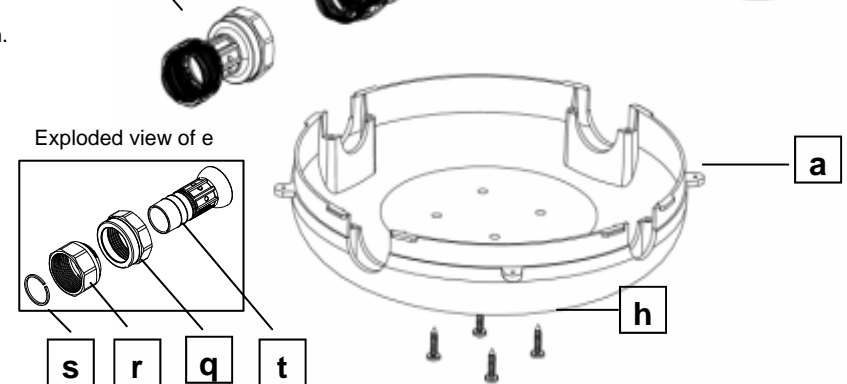
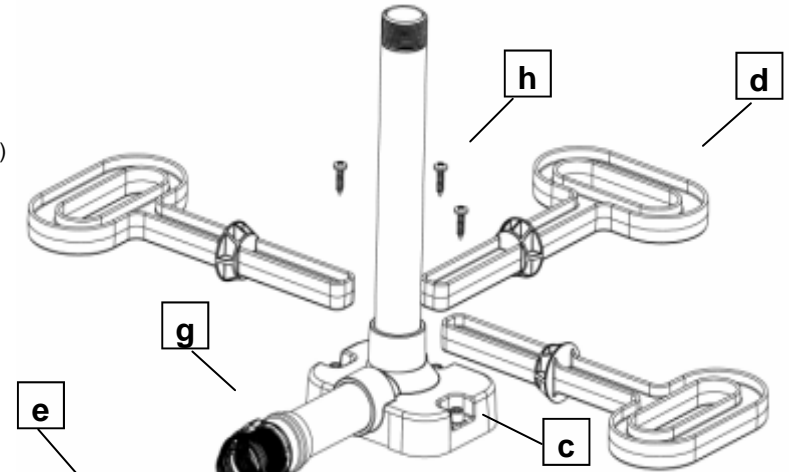
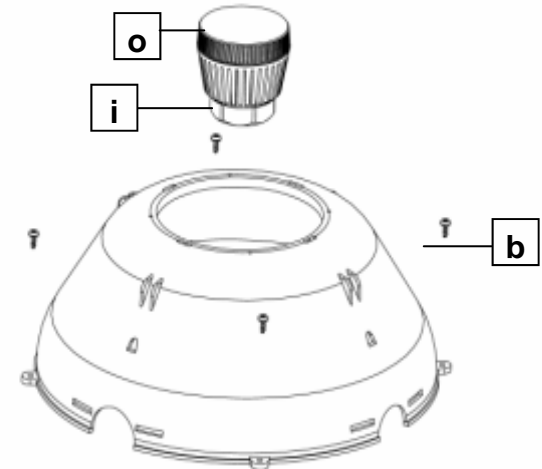
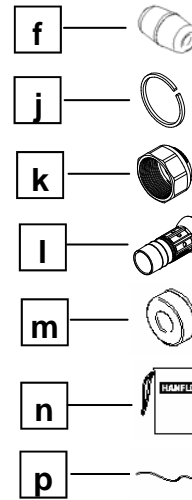
1. Connect your poly pipe to the Hanflo 1¼" Disconnect Union (e) by:
 - Inserting 1¼" Disconnect Union (e) into pipe up to the 1¼" white circlip (s).
 - Wind the 1¼" nut (r) onto the pipe by hand until tight. Tighten with a wrench.
2. Connect Hanflo disconnect union now attached to your poly pipe onto Female Union (g) by tightening the common nut (q). This should be firmly secured with wrench to ensure a leak proof seal.
3. Fill and weight the HAN-STAND base with stabilizing material (Rock, Cement. Stones etc) Using the rope and float lower the Han-stand foot valve stand into the lake or river until it reaches the bottom.
4. Your HAN-STAND Foot Valve Stand is now ready for use.

If using 1" Poly pipe

- (a) Take Hanflo Disconnect Union (e). This has been pre assembled for 1¼" poly pipe and needs to be converted to 1" version.
- (b) Remove 1¼" white circlip (s) and 1¼" nut (r)
- (c) Slide 1¼" union tail (t) out of common nut (q).
- (d) Insert 1" union tail (l) into common nut (q)
- (e) Slide 1" nut (k) onto 1" Union tail (l).
- (f) Slide 1" white circlip (j) onto 1" Union tail (l). and locate in groove of 1" Union tail
- (g) Connect your poly pipe to the Hanflo Disconnect Union (e)
 - Insert fitting into pipe up to the white circlip.
 - Wind the nut onto the pipe by hand until tight. Tighten with a wrench to ensure a leak proof seal.
2. Connect Hanflo disconnect union now attached to your poly pipe onto Female Union (g) by tightening the common nut (q). This should be firmly secured with wrench to ensure a leak proof seal.
3. Fill and weight the HAN-STAND base with stabilizing material (Rock, Cement. Stones etc) Using the rope and float lower the Han-stand foot valve stand into the lake or river until it reaches the bottom.
4. Your HAN-STAND Foot Valve Stand is now ready for use.

Ensure all components and fittings are securely connected.

Note If using CSA100 or USA poly pipe remove nut (r) and circlip (s) and use a clamp to secure pipe



For warranty details go to www.hanflo.com